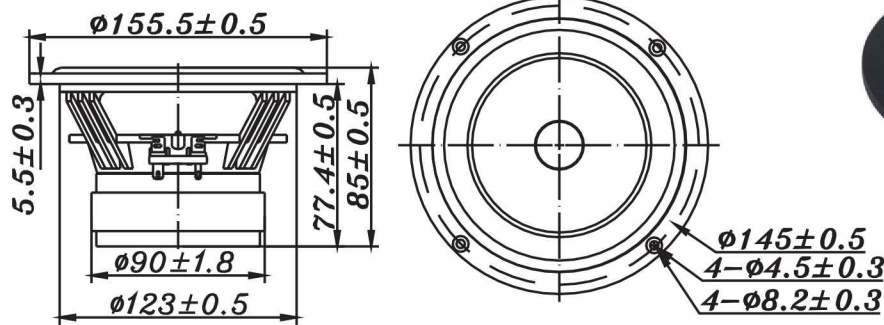


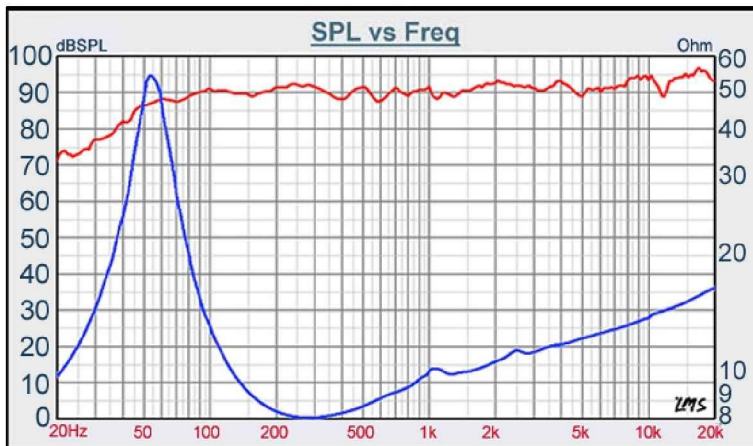
F SERIES

W5-2143



- FULL RANGE DESIGN
- UNDERHUNG MOTOR DESIGN WITH FERRITE MAGNET, $X_{max} = 2.5\text{mm}$
- VERY LOW THD (2nd AND 3rd HARMONIC DISTORTION)
- UNIQUE PHASE PLUG FOR BETTER DISPERSION
- BAMBOO FIBER PAPER CONE WITH DURABLE STRUCTURED SANTOPRENE SURROUND

5" PAPER FULL RANGE



| | |
|-----------------------|--------------------------|
| DIAPHRAGM MTL | Paper |
| SURROUND MTL | Structured Santoprene |
| NOMINAL IMPEDANCE | 8 Ω |
| DCR IMPEDANCE | 6.3 Ω |
| SENSITIVITY 1W/1m | 90 dB |
| FREQUENCY RESPONSE | 55 - 20K Hz |
| FREE AIR RESONANCE | 55 Hz |
| VOICE COIL DIAMETER | 25.4 mm |
| AIR GAP HEIGHT | 10 mm |
| RATED POWER INPUT | 30 W |
| MAXIMUM POWER INPUT | 60 W |
| FORCE FACTOR, BL | 5.43 TM |
| TYPE OF INPUT | Ferrite |
| MOVING MASS | 5.99 g |
| FERROFLUID ENHANCED | No |
| SUSPENSION COMPLIANCE | 1514 μMN^{-1} |
| EFFECTIVE PISTON AREA | 0.0094 M^2 |
| Levc | 0.023 mH |
| Zo | 55 Ω |
| X-max | 2.5 mm |
| Vas | 19.0 Litr |
| Qts | 0.38 |
| Qms | 3.21 |
| Qes | 0.43 |

TB SPEAKERS

VOICE:886.2.26570282 FAX:886.2.26580166
E-MAIL :info@tb-speaker.com