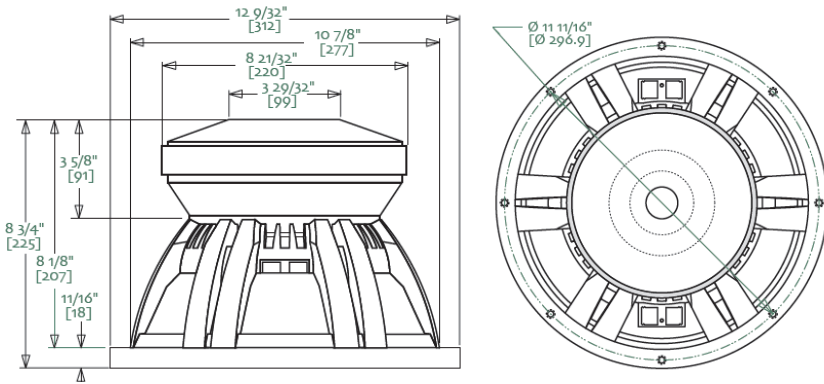




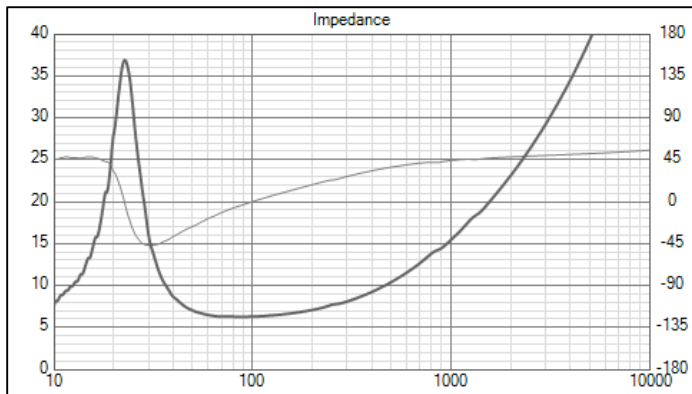
SOX12 - XBL² LOW DISTORTION SUBWOOFER



FEATURES

- Extremely low distortion XBL² motor provides flat and extended BL curve
- Triple shorting rings to further reduce Le variance and distortion over excursion range
- 2 Ohm DVC for multiple wiring options
- 2 layer, 3" copper voice coil for high power handling (1000 W RMS)
- High excursion spider with woven leads
- Aerodynamic basket and motor design for reduced noise

IMPEDANCE



SPECIFICATIONS

Impedance	4 Ohm (coils in series)
Re	3.7 Ohm
Le	1.38 mH
Fs	21.3 Hz
Qms	3.96
Qes	0.41
Qts	0.37
Mms	275.9 g
Bl	18.4
Sd	491 cm ²
Vas	67.5 L
Cms	0.28 mm/N
X-max	28 mm

FREQUENCY RESPONSE - 4" FROM DUST CAP, OPEN Baffle

